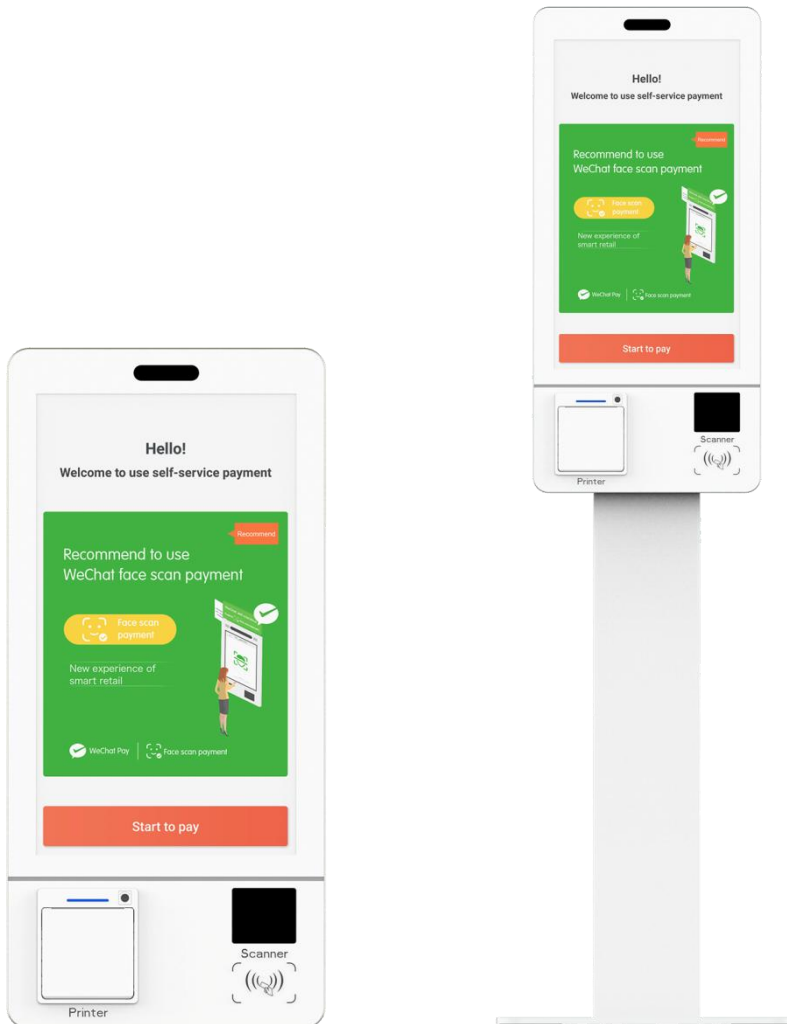


32 inch self payment kiosk Product Specification

Model: YS-SK32H



Part 1 Specification Abstract

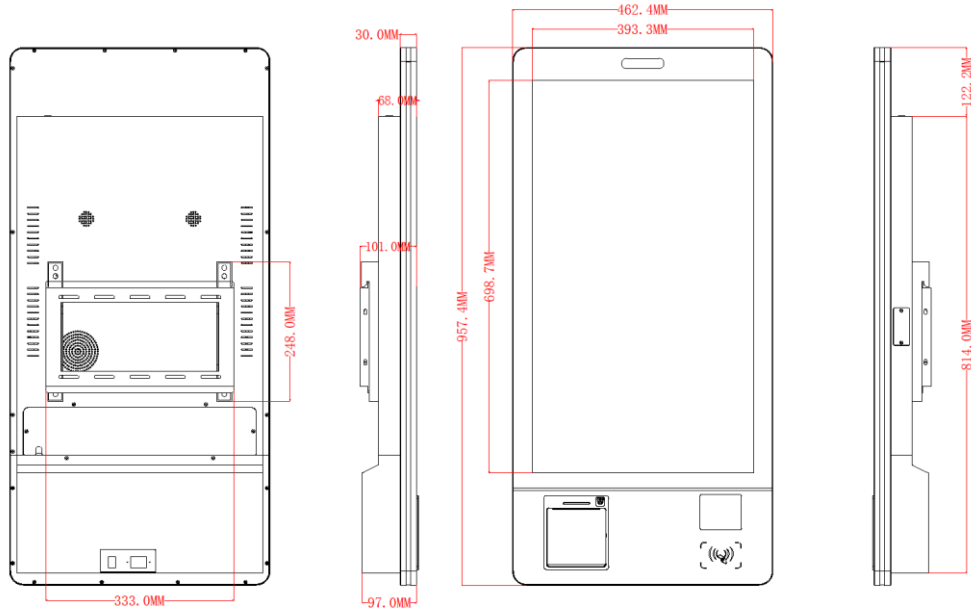
	Model	Parameter
Display	LCD Size	32"
	Resolution	1920×1080 (pixels)
	Display area	698.4mm×392.85mm
	Brightness (typ)	360cd/m ²
	Contrast Ratio (typ)	2500:1
	Response Time (typ)	5ms
	Viewing angle	178° (H)/178° (V)
	Life Time (min)	30,000 hrs
	Display Colors	16.7M(8bit)
Android Configuration (standard)	CPU	Rockchip RK3568 Cotex-A55×4, clocked 2.0GHz
	RAM	2GB (4G/8G optional)
	ROM	16GB (32G/64G optional)
	OS	Android 11 system
	Interface	MIC-IN×1, RJ45×1, RS232×1, USB×4
PC Configuration (Optional)	processor	Intel J1900 Quad Core/I3/I5/I7
	hard disk	64G SSD/128G SSD/256G SSD
	Memory	4GB/8GB
	WIFI	802.11 b/g/n
	System	Windows 10 inactive version
	Interface	HDMI*1, VGA*1, RJ45*1, USB*4, LINE-OUT*1, MIC-IN*1
Peripherals	printer	80mm panel thermal printer
	scanner	QR code automatic scanning
	Card reader (optional)	NFC card reader/IC card reader
	Camera (optional)	Monocular camera/Binocular camer
	POS machine bracket (optional)	External POS Machine Stand
	Vertical bracket (optional)	Metal
Power	Valtage	100V~240V, 50-60Hz
	Maximum power	180W
	Standby power	≤1W
	Power (AC) Input	×1
Environment	Operating Temperature	0℃~50℃
	Storage Temperature	-20℃~60℃
	Working Humidity	10%~90%RH
	Storage Humidity	5%~90%RH

Function	Speaker	5W×2
	Power Switch	×1
Structure	Shell Material	Alloy aluminum frame ,Metal sheet
	Shell color	White(Black optional)
	Product Size (mm) (W×H×D)	462.4×957.4×97mm
	Package Size (mm) (W x H x D)	1120×620×250mm
	Gross Weight (Wall mount)	27Kg±1.5Kg
	Gross Weight (Standing)	44Kg±1.5Kg
Language	OSD	English/Chinese Etc.
Accessories	Power cable	×1
	Wall Mount	×1
	Product manual	×1
	POS machine bracket (optional)	×1
	Sdanding Base(Optional)	×1

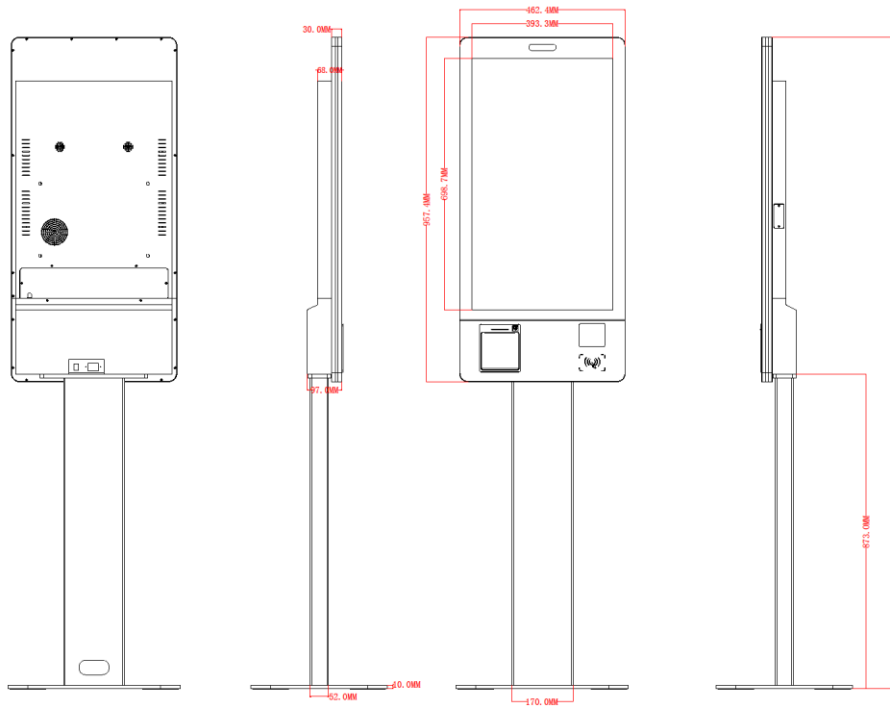
Part 2 Touch Panel Specifications

Touch Panel	Touch technology	PCAP
	Size	32 inch
	Interface	USB
	Input voltage	DC+5V±5%
	Input	Hand writing or capacitive pen
	Touch points	10 Points
	Surface Protection	4mm Toughened Glass
	Surface Hardness	≥6H
	Response time	10ms
	OS	Win 10/Android/Linux
	Working Temperature and humidity	-10℃~+60℃ at Min 20% to Max 85% RH
	Storage Temperature and humidity	-20℃~+70℃ at Min 20% to Max 85% RH

Part 3 Product view



Wall mount



Standing